



The Signature of Quality

FEDERAL INDUSTRIES

A Standex Company
215 Federal Avenue
Belleville, WI 53508-9201

Phone: 800-356-4206
Fax: 608-424-3234
Email: geninfo@federalind.com
Website: www.federalind.com

Project Name: _____

Item #: _____

Model #: _____ Qty: _____

Approval: _____

AIA#

SIS#

COUNTER TOP SIGNATURE SERIES HOT SELF-SERVE MERCHANDISER

The Signature Series counter top self-serve merchandiser combines attractive curved glass styling and merchandising flexibility. Designed for continuous case line-ups. Cases are available in lengths of 2', 3', and 4'.



MODEL	LENGTH (Includes End Panels)
<input type="checkbox"/> CH2428SS	24 x 29.7 x 25.1 (in) 610 x 754 x 637 (mm)
<input type="checkbox"/> CH3628SS	35 x 29.7 x 25.1 (in) 889 x 754 x 637 (mm)
<input type="checkbox"/> CH4828SS	47 x 29.7 x 25.1 (in) 1194 x 754 x 637 (mm)

STANDARD FEATURES

Model Features

- Curved glass styling.
- Three hinged lift-up front doors allow for customer access.
- Tempered glass ends.
- Removable sliding rear doors, shelf lights, shelf supports, and shelves.
- Cord and plug (NEMA 5-15P).

Shelving

- Adjustable black wire shelves. Shelves are adjustable up and down and can also be tilted in two positions. Two tiers.

Lighting

- Incandescent top light and shelf lights.

Agency Approvals

- UL Safety and UL Sanitation Listed.

OPTIONAL ACCESSORIES

- Reflective Ends
- Reflective Rear Doors
- Pedestal With Wrapping Board
(To Match Refrigerated Bar Mount Unit)
- Insulated End Panel - For Case Line-Ups



WARRANTY*
One year Parts and Labor
2nd thru 5th year part
only service compressor
(U.S.A and Canada)

Note: Information is subject to change at any time.
Visit www.federalind.com for the most current specs.

AIA#

COUNTER TOP SIGNATURE SERIES HOT SELF-SERVE MERCHANDISER

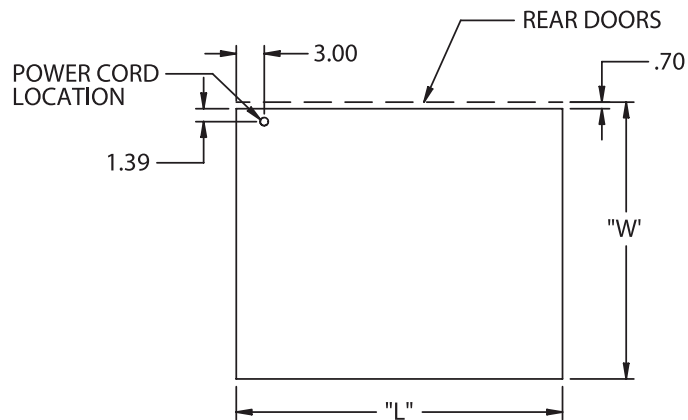
SIS#

Product Specifications

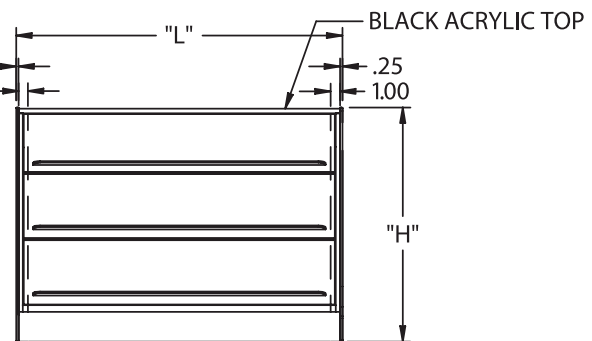
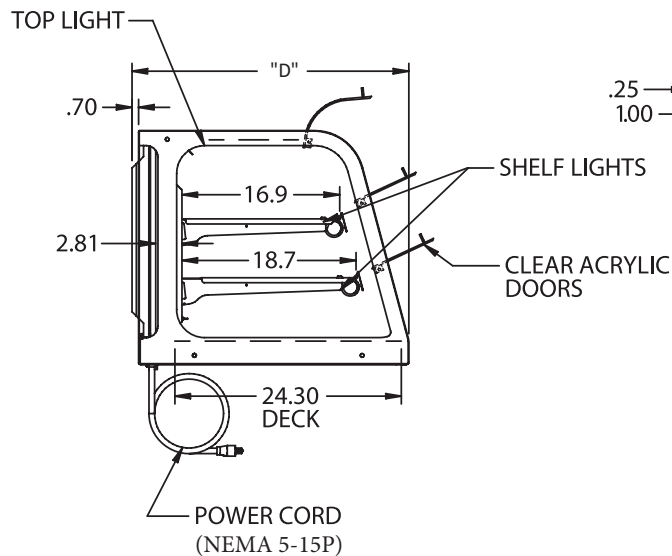
DIMENSION: xx"/(mm)

DIMENSION TOLERANCE +/- 0.19 (4.8)

PLAN VIEW



SIDE VIEW



FRONT VIEW

MODEL	DIMENSIONS*				SHIPPING WHT		ELECTRICAL 120/60/1
	L	D	H	UNITS	LBS	KILO	
CH2428SS	24	29.7	25.1	in.	290	132	7.2 AMPS
	607	754	637	mm.			
CH3628SS	35	29.7	25.1	in.	333	151	10 AMPS
	889	754	637	mm.			
CH4828SS	47	29.7	25.1	in.	375	170	12.5 AMPS
	1194	754	637	mm.			

- Due to continuing engineering improvements, specifications are subject to change without notice.



The Signature of Quality

FEDERAL INDUSTRIES

A Standex Company

215 Federal Avenue, Belleville, WI 53508-9201

PHONE: 800-356-4206

E-MAIL: geninfo@federalind.com

FAX: 608-424-3234

WEBSITE: www.federalind.com

